

Cooktop Wall Cabinets

3" crown molding across all upper cabinets

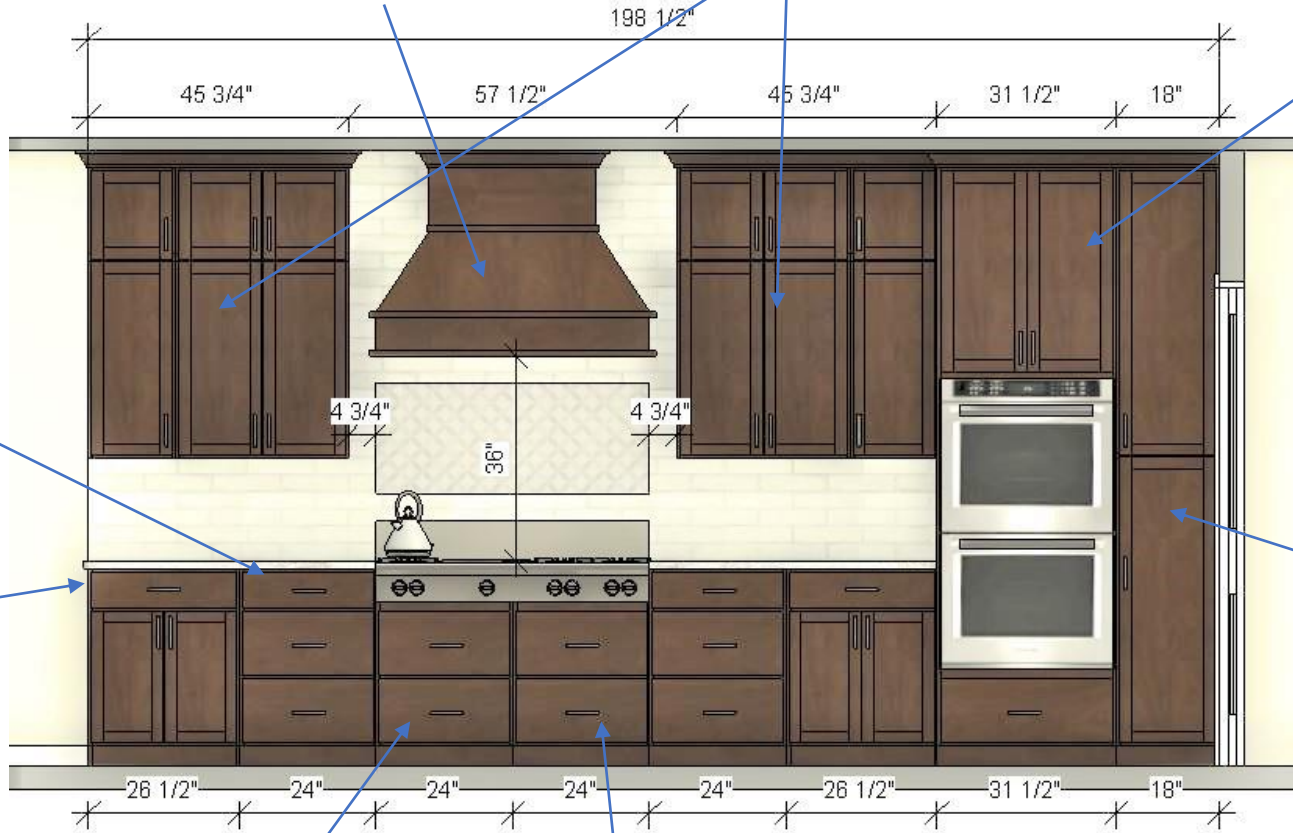
Two adjustable shelves in each 36" high upper cabinet

48" wood hood

Cookies sheet holder and pull-out shelves above double oven



Two spice drawers
 1. Normal sized spices
 2. Costco sized spices



Five pull-out shelves in 18" W x 26" deep pantry cabinet and additional tray storage

Two drawers under 48" gas cooktop, on left



Utensil pull-out under 48" cooktop, on right

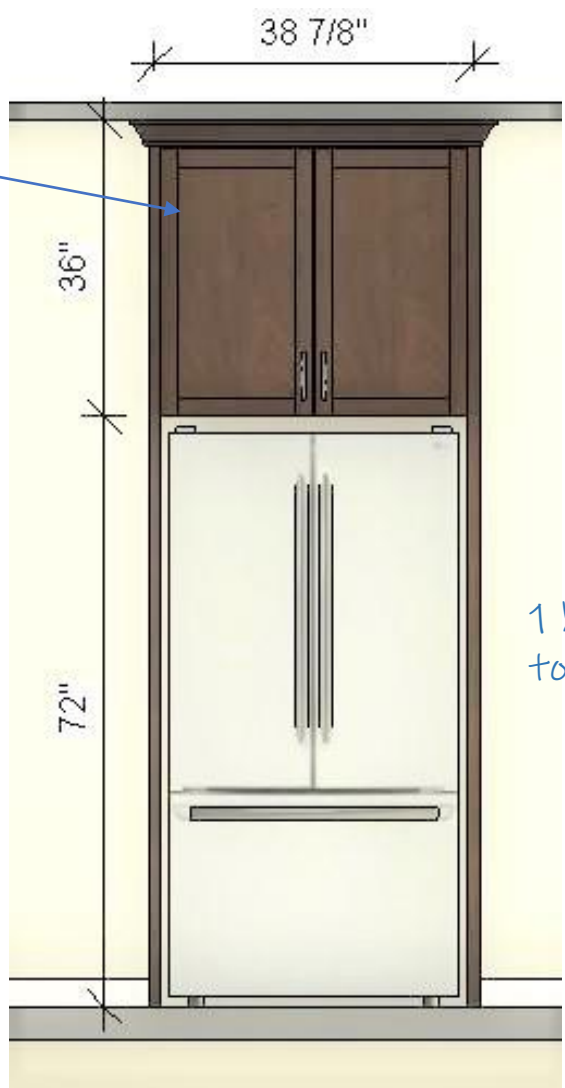


Refrigerator Cabinet

3" crown molding across cabinet



24" deep pull-out over refrigerator



1 1/2" trim boards to frame opening

Microwave Wall Cabinets

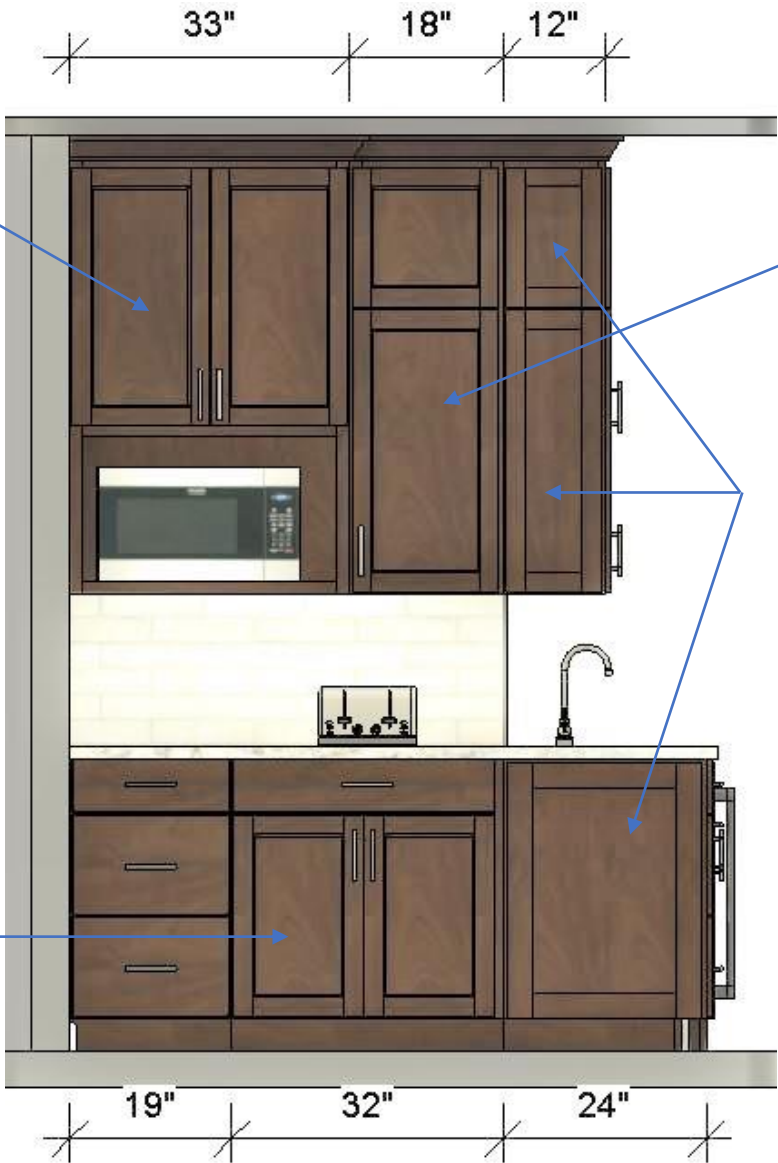
3" crown molding across all cabinets

Two adjustable shelves

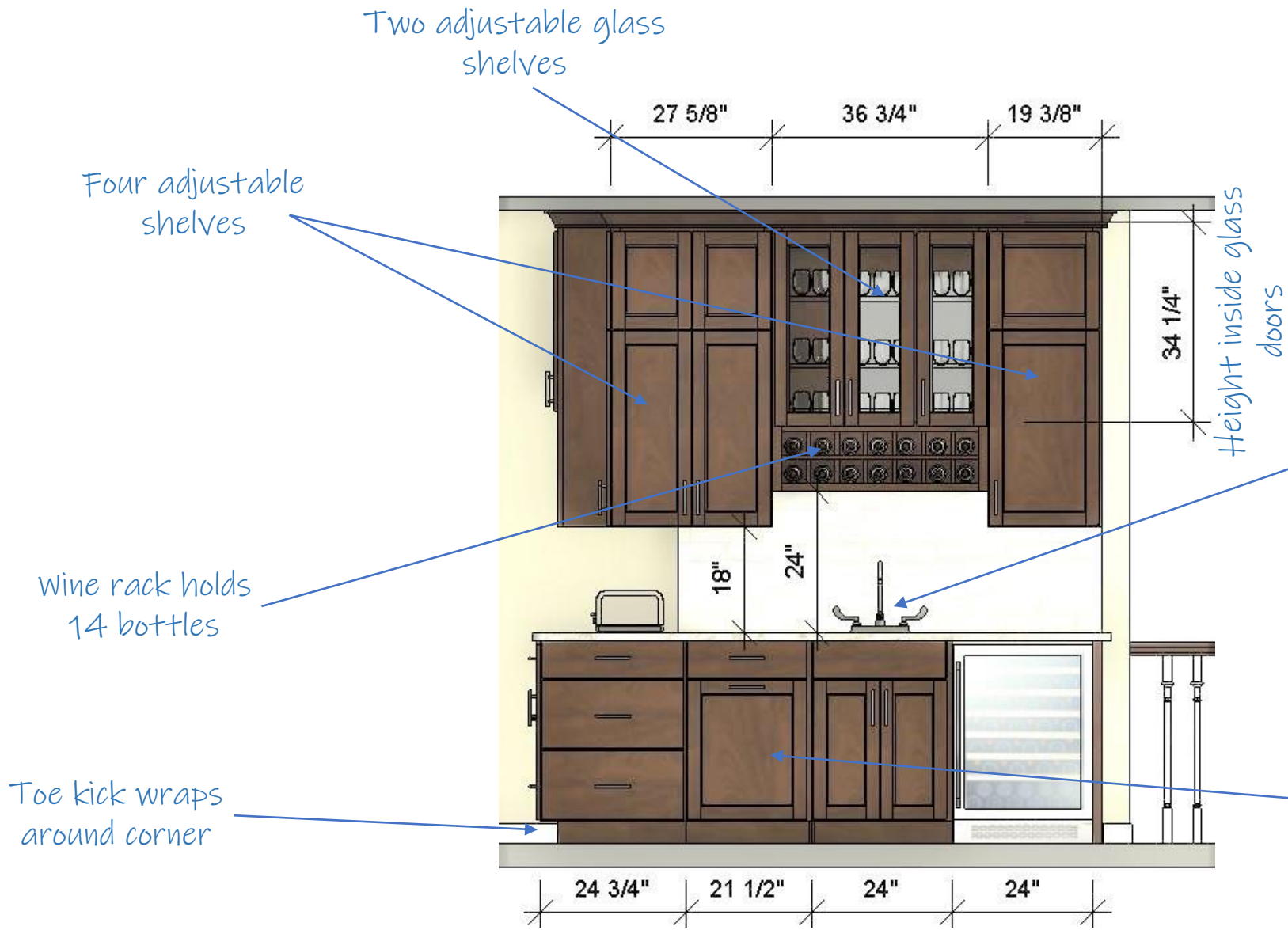
Four adjustable shelves

Fake Doors

Two pull-out shelves in lower cabinet



Wet Bar Cabinets



3" crown molding across all cabinets



Bar sink

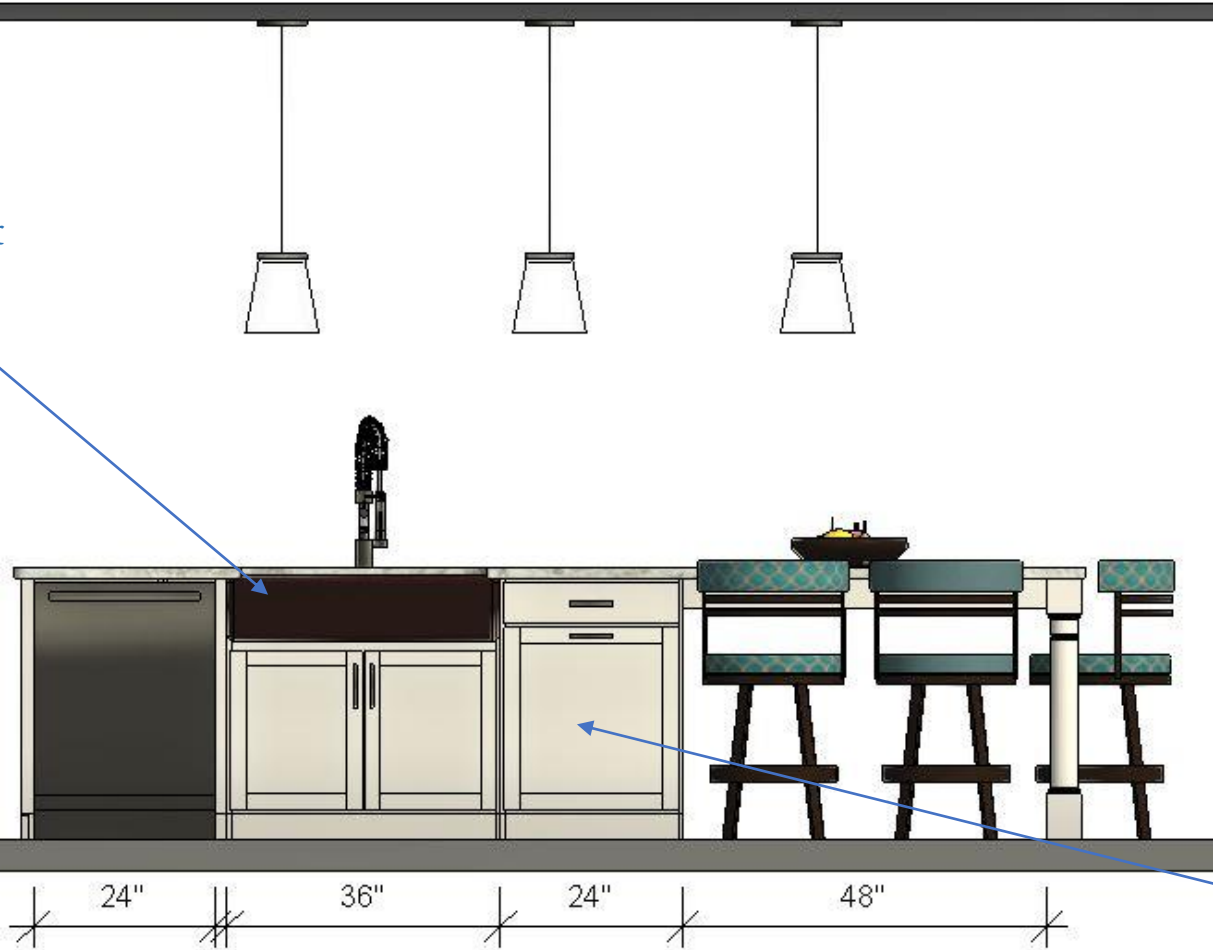
Pull-out garbage and recycle bins



Toe kick wraps around corner

Island - Sink Side Cabinets

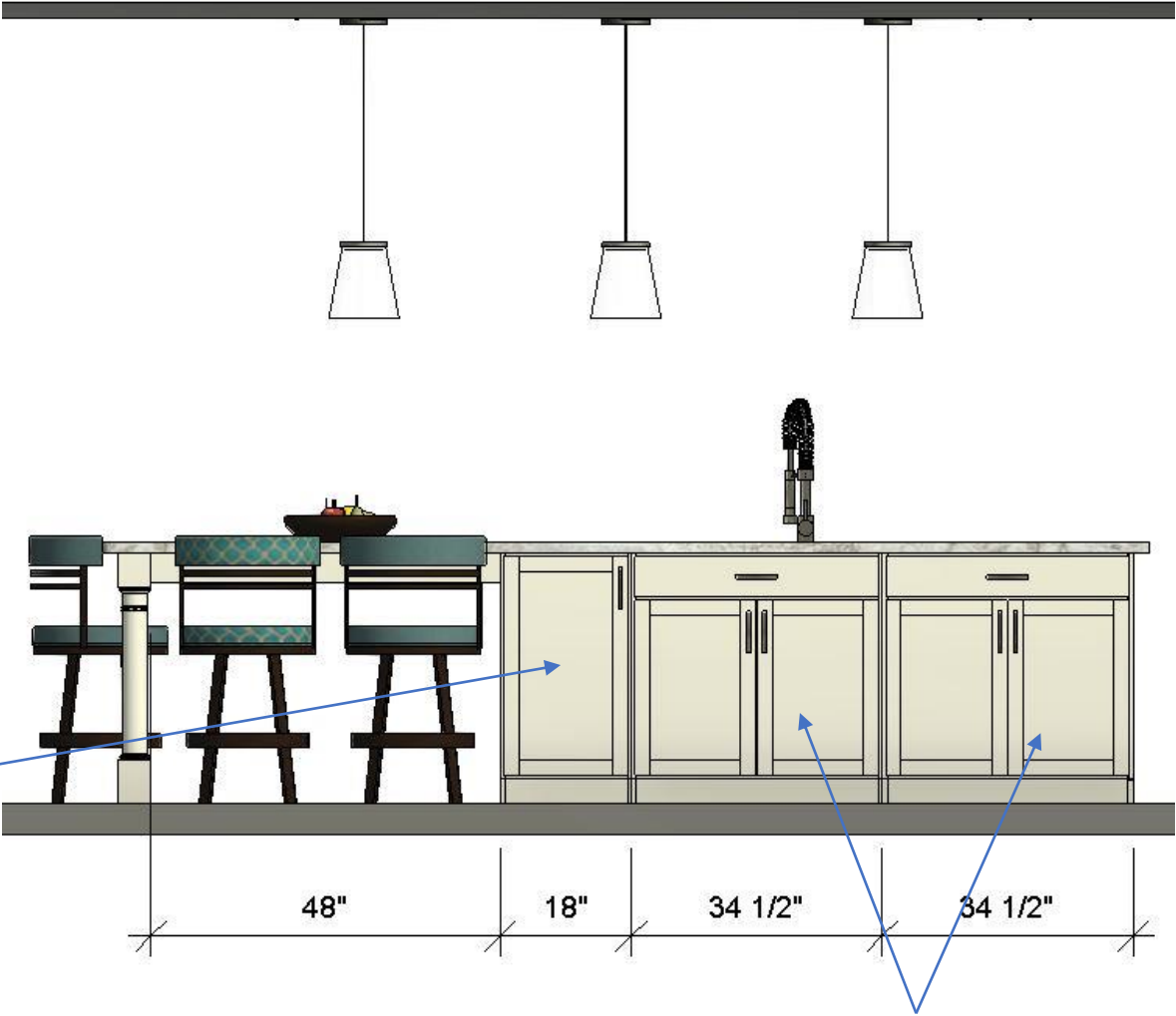
NOT an apron sink



Pull-out garbage and recycle bins



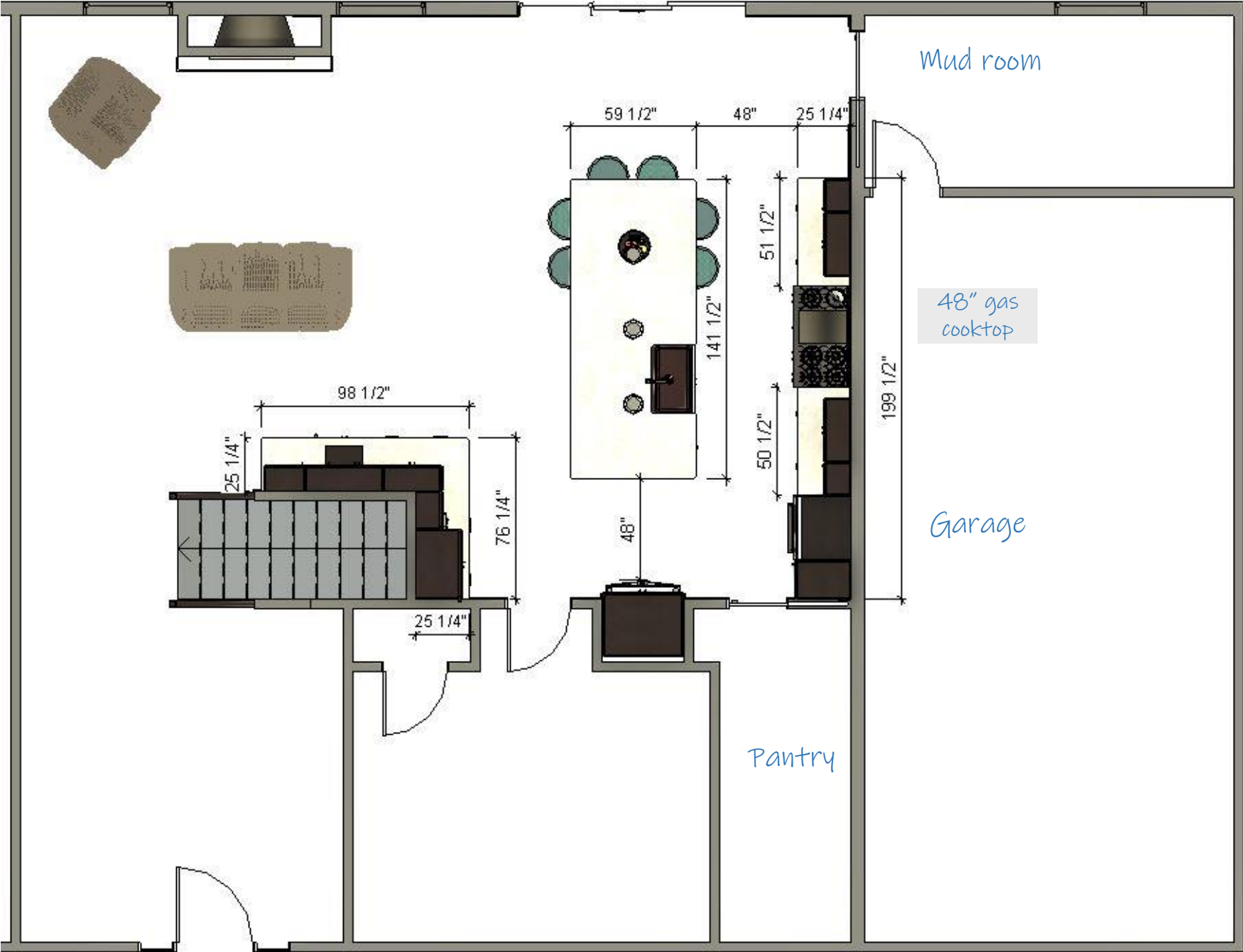
Island - Mixer Side Cabinets



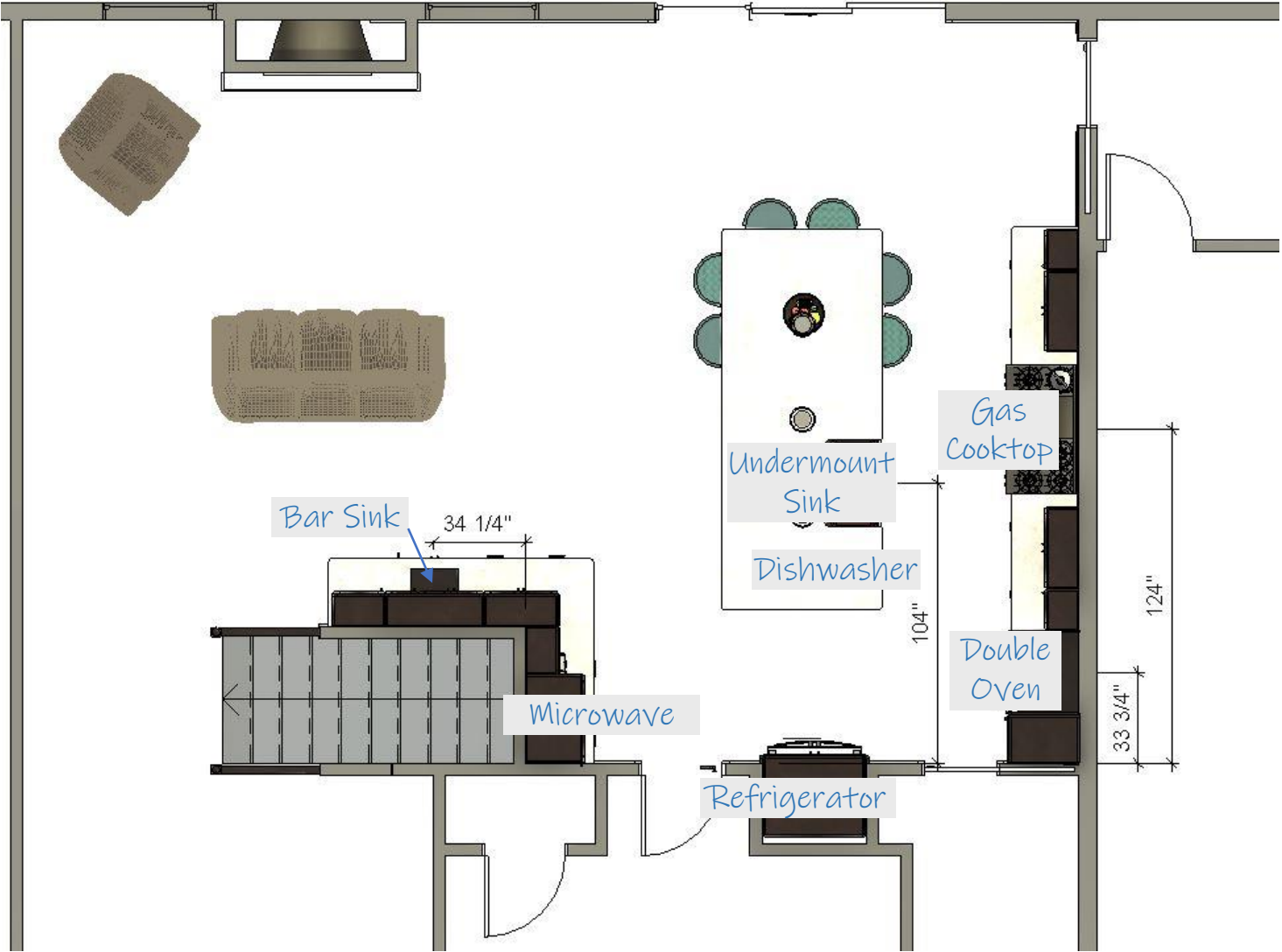
Mixer Lift and one pull-out shelf

Two pull-out shelves

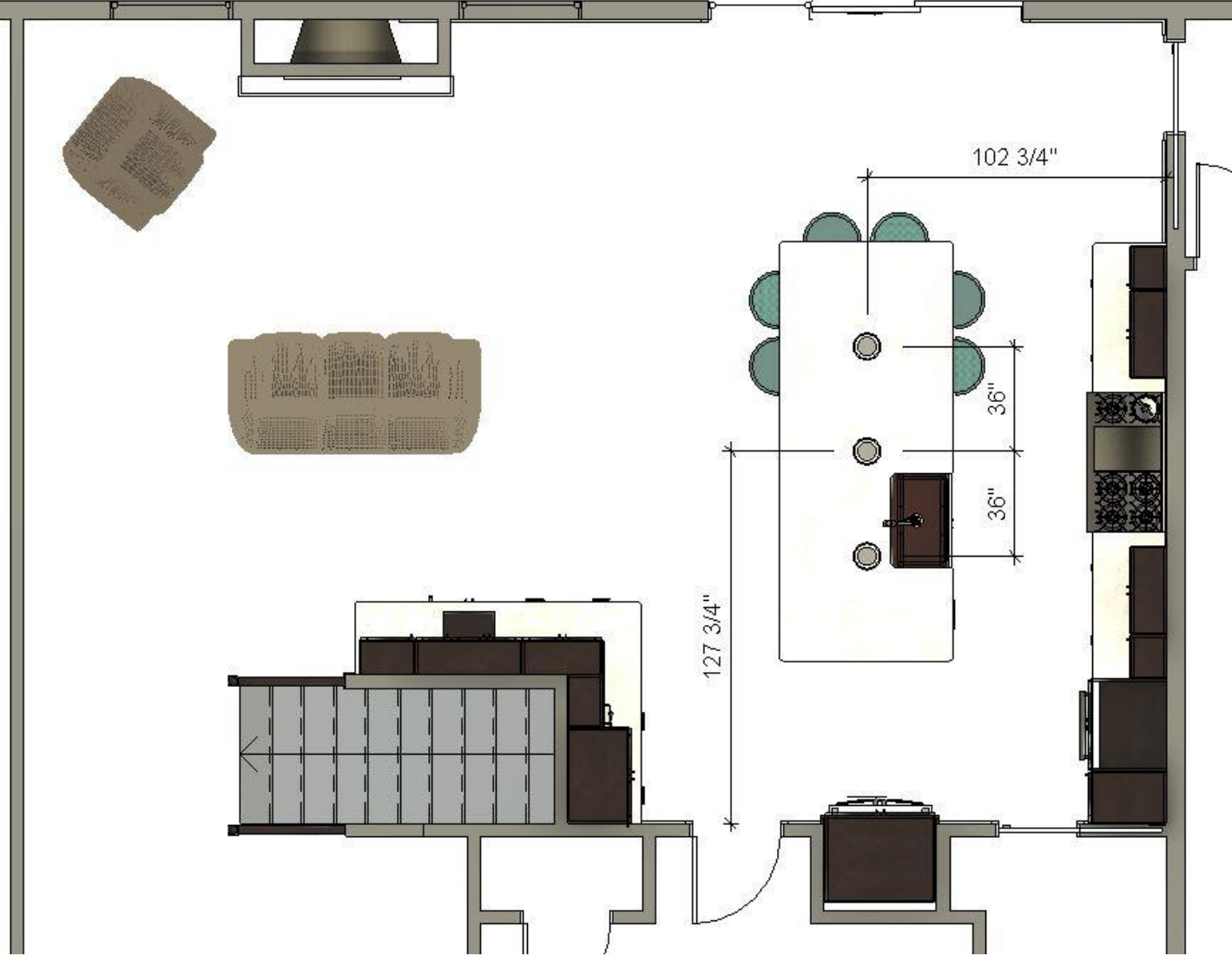
Gerber Kitchen Layout and Countertop Dimensions



Gerber Kitchen Appliances Layout



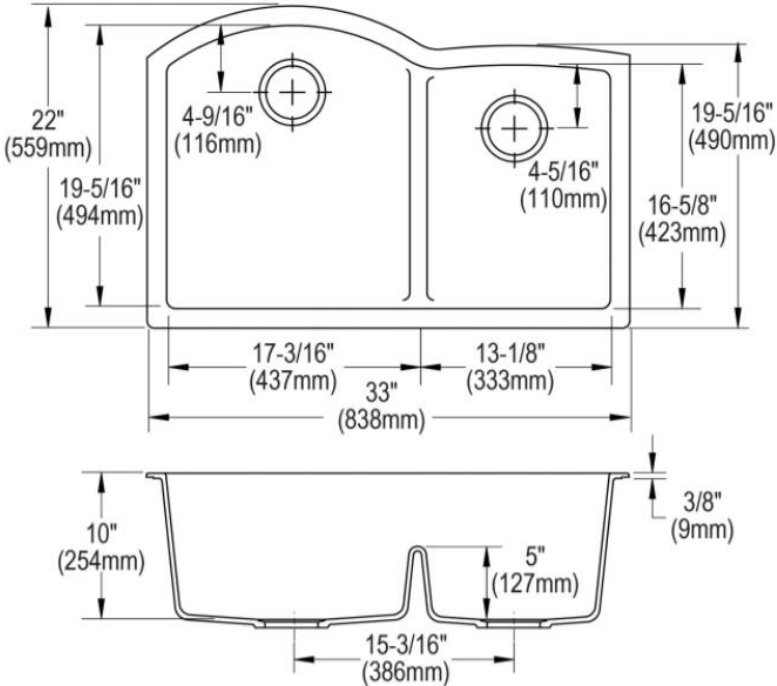
Gerber Kitchen Pendant Light Placement



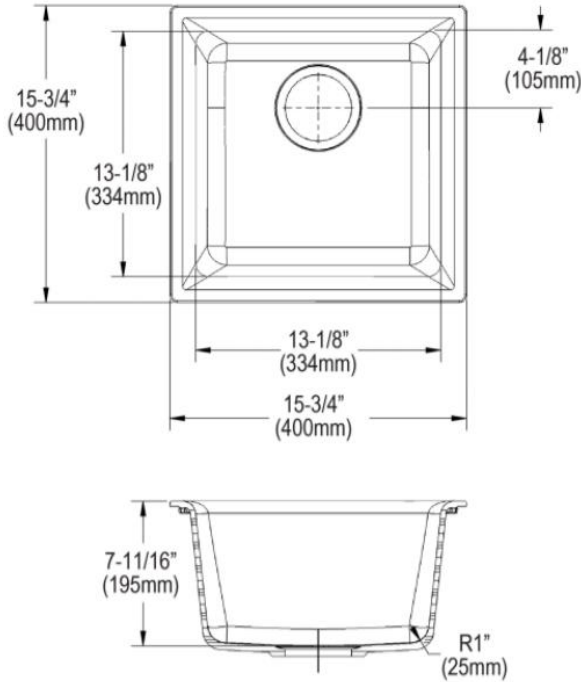
Gerber Kitchen & Bar Sinks



Elkay ELXHU3322R



Elkay 16 x 16 square bar sink



Gerber Kitchen Gas Rangetop



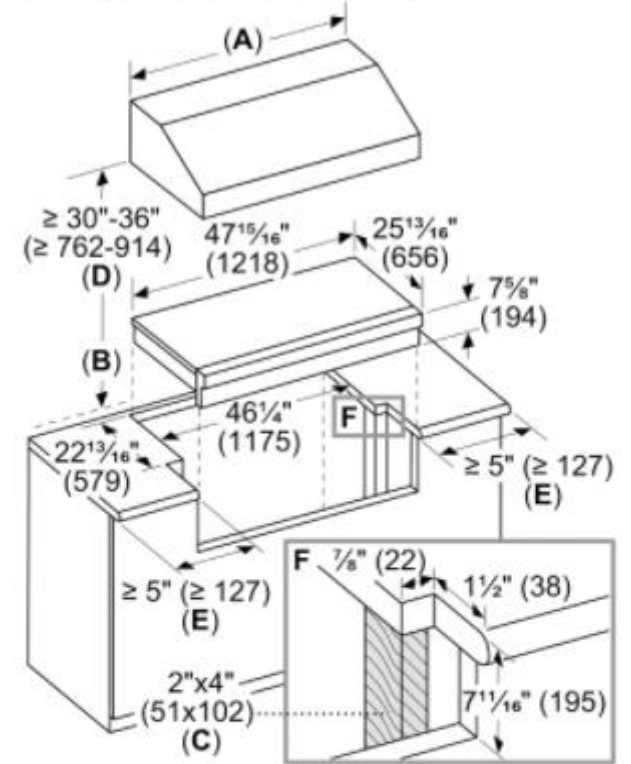
Thermador 48" PCG486WD

7-Inch Backguard for 48-Inch Pro Harmony®

PA48WLBH - 23000015



Measurements in inches (mm)



- A:** Specify width. Minimum recommended hood width equals that of the range or cooktop.
- B:** Cooking surface
- C:** Corner support
- D:** 36" minimum clearance from cooking surface to combustible surfaces.
- E:** 5" minimum clearance from cooking surface to combustible side wall.

Note: Most hoods contain combustible components that must be considered when planning the installation.